

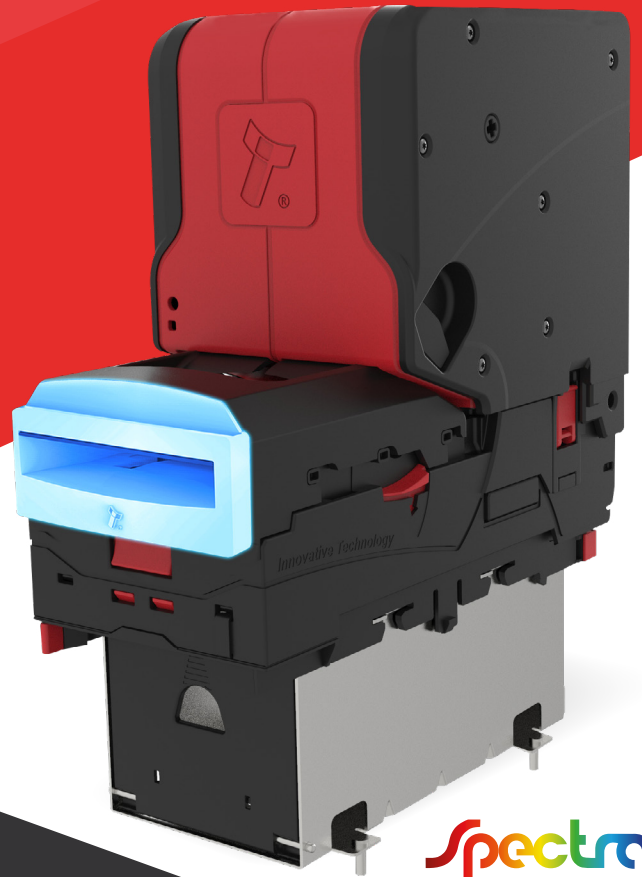


**Innovative Technology**

POWERING TRANSACTIONS AND INTERACTIONS

# NV22 Spectral

*"Compact, mixed note recycler"*



- Mixed denomination compact note recycler
- Significantly reduces operational costs
- Maximises operational efficiency and up-time
- Full note high resolution imaging



## FEATURES

- 40 note mixed denomination recycler
- Spectral sensors provide full note high resolution imaging - 1.28 million datapoints
- Optical & mechanical anti-strimming technology
- Dramatically reduces coin float levels
- Easy maintenance, free firmware updates, SD card for data logging
- All mixed notes in the Multi-Note Float can be transferred to the cashbox for easy collection



## BENEFITS

- Large capacity maximises cash efficiency and up-time, reducing coin starvation
- Unrivalled genuine note detection & protection against fraudulent notes
- Outstanding fraud protection
- Significantly lowers operational costs
- Future proof - quick & easy updates via USB, PC or handheld programmer
- Lowest operator collection costs



## Technical Specification

### Power

Requirements: 12 / 24 V  
Standby: 340 / 210mA  
Running: 2.5 / 1.5 A  
Peak: 4 A / 2.5 A

### Protocols

SSP  
\*others on request

### MCBF

100,000

### Interfaces

USB  
Open Collector

### Note Dimensions

Width: 62 - 80 mm  
Length: 115 - 160 mm

### Recycler Capacity

40 mixed notes

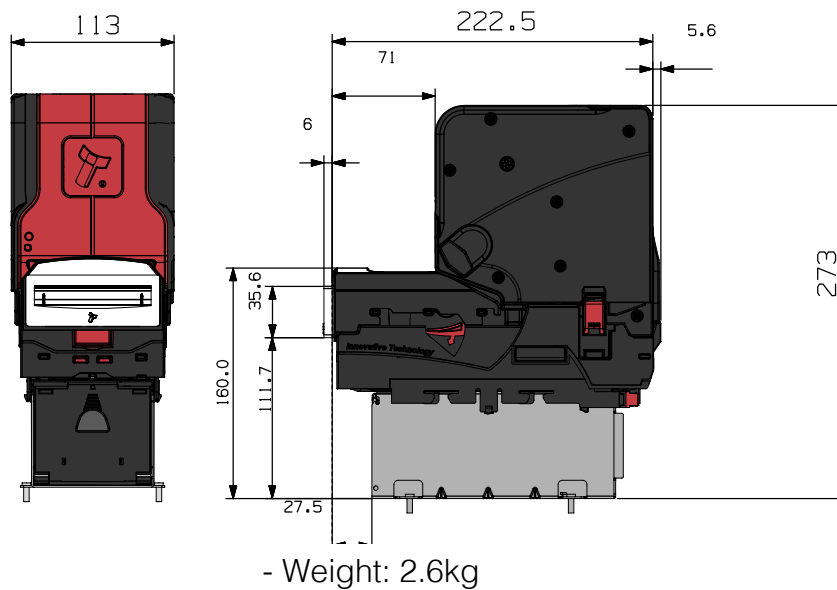
### Bezel Options

82mm horizontal  
82mm chamfered  
Rainbow illumination

### Cashbox Options

300 standard  
300 lockable  
300 / 600 slide

\*\* Some national currencies differ in thickness and circulation practices. Depending on usage, this can impact cashbox capacities by 10-15%.



### Find Us

#### Head Office

Innovative Technology Ltd (UK)  
Innovative Business Park  
Derker Street  
Oldham  
OL1 4EQ



### Telephone

+44 (0) 161 626 9999



### Email

sales@innovative-technology.com